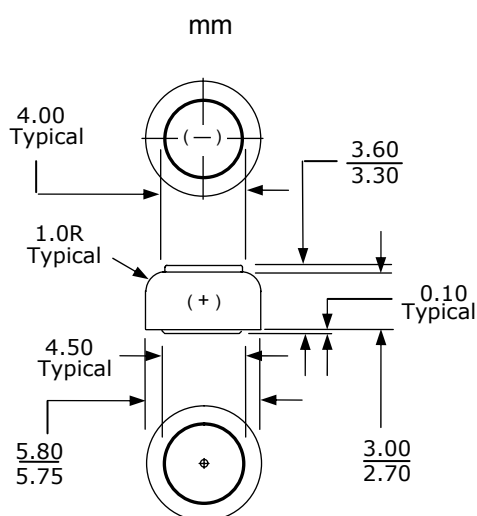


SPECIFICATIONS:



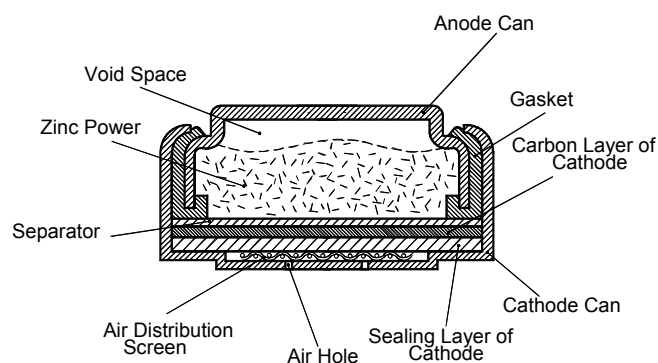
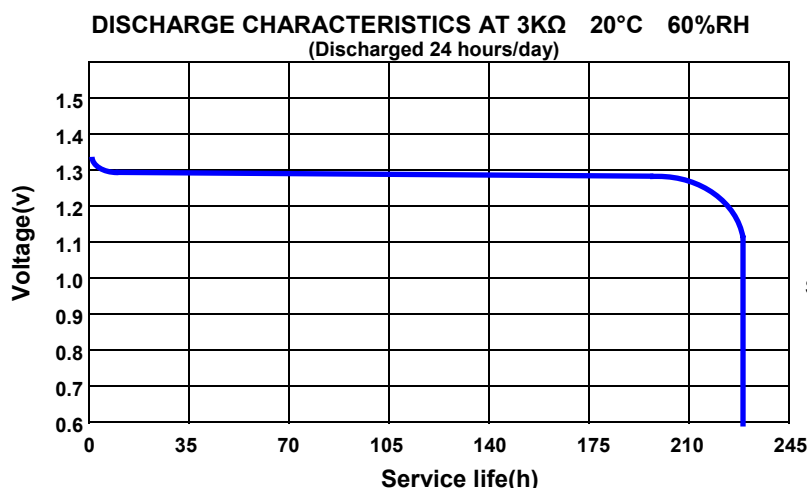
(top view) (bottom view)

Industry Standard Dimensions



Chemical System:	Zinc Air (Zn/O ₂)
Identification:	IEC-PR70
Tab Color:	Yellow
Build Standard:	IEC 60086-1:2000, IEC 60086-2:2000
Nominal Voltage:	1.4 Volts
Capacity:	100 mAh (to 0.9 volts) (Rated at 3k ohms at 20°C/ 60%RH)
Available Current:	4 mA(at 1.1 volts)
Tab Sealing Arrangements:	On Cathode Can. See picture above.
Capacity Retention:	> 85%(after 3 years)
Shelf Life:	3 years
Operation Temp:	0°C to 50°C
Typical Weight:	0.28 grams (0.01 oz.)
Typical Volume:	0.08 cubic centimeters (0.005 cubic inch)
Impedance:	≤ 8 ohms (at AC 1000Hz)

Construction



This data sheet is subject to change without prior notice.
Contact us for the latest information. Contents here do not constitute a warranty.
May, 2009